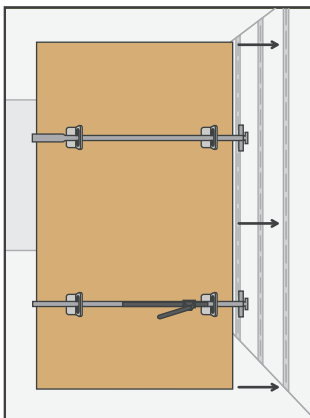


# The Bulkhead

The trailer comes with a bulkhead to secure and separate your belongings from other cargo on the trailer. The bulkhead is designed for use within the trailer and locks into place using the trailer's vertical logistic posts.

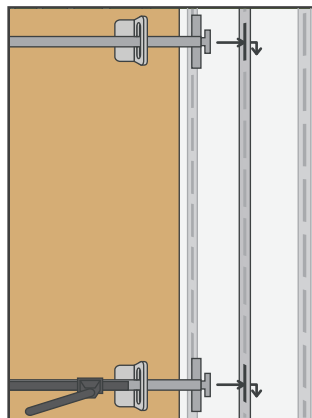
The bulkhead is not designed for support or to withstand weight if the load shifts in transit. Secure your shipment with ropes and/or straps throughout the trailer to prevent your load from shifting during transit.

## Installation Instructions (reverse order for removal)



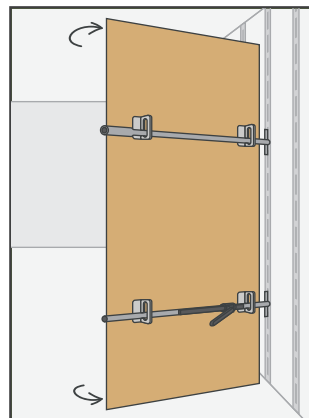
### Step 1

Align first bulkhead panel with vertical trailer post



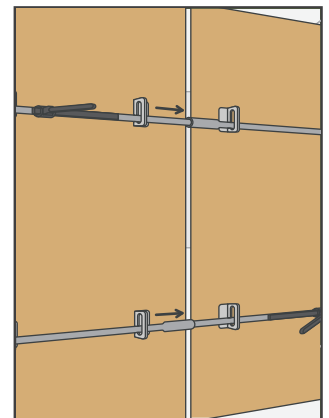
### Step 2

Firmly press T-shaped load bar ends down into vertical trailer post slots



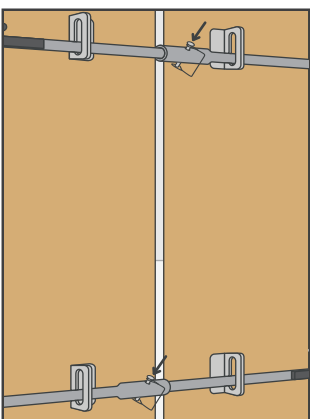
### Step 3

Pull bulkhead panel away from your shipment at a slight angle



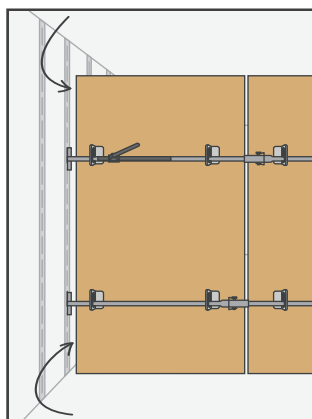
### Step 4

With handles open, slide load bars together until pinholes align



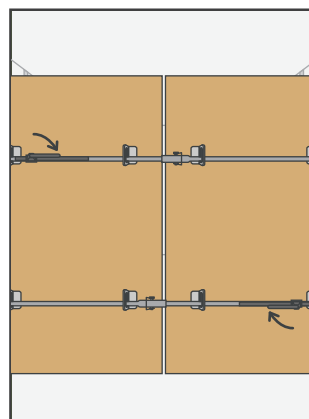
### Step 5

Insert locking pin through each load bar



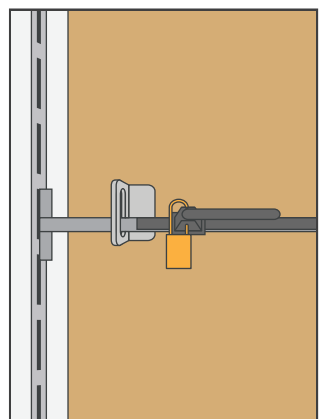
### Step 6

Slide bulkhead toward shipment & repeat Step 2



### Step 7

Close load bar handles with an open palm



### Step 8

Place a lock in each handle to secure bulkhead